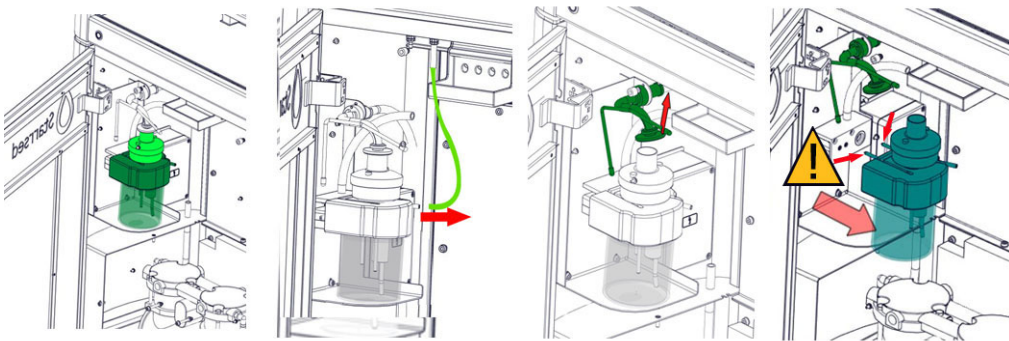


The liquid separator is located at the left side of the lower cabinet.

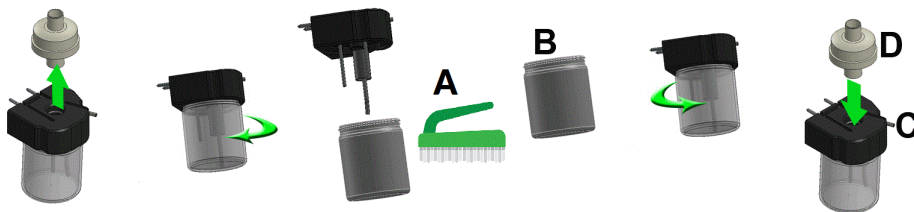
Removing



A. Clean all parts with hot water and a brush.

B. Use some acid free vaseline on the screw-thread of the glass jar.

Cleaning



C. A little silicon grease on the rim of separator will make the assembling and adjustment easier.

D. If applicable replace the bacterial HEPA filter (For Maintenance Level 4: Exchange filter QWLV040002)

Replacing

